

PRODUCT INFORMATION PACKET

marathon[®]
Motors

Model No: 324TTFCA6033
Catalog No: GT3234
40,1800,TEFC,324JM,3/60/575
JM



Regal and Marathon are trademarks of Regal Beloit Corporation or one of its affiliated companies.
©2018 Regal Beloit Corporation, All Rights Reserved. MC017097E

REGAL[®]



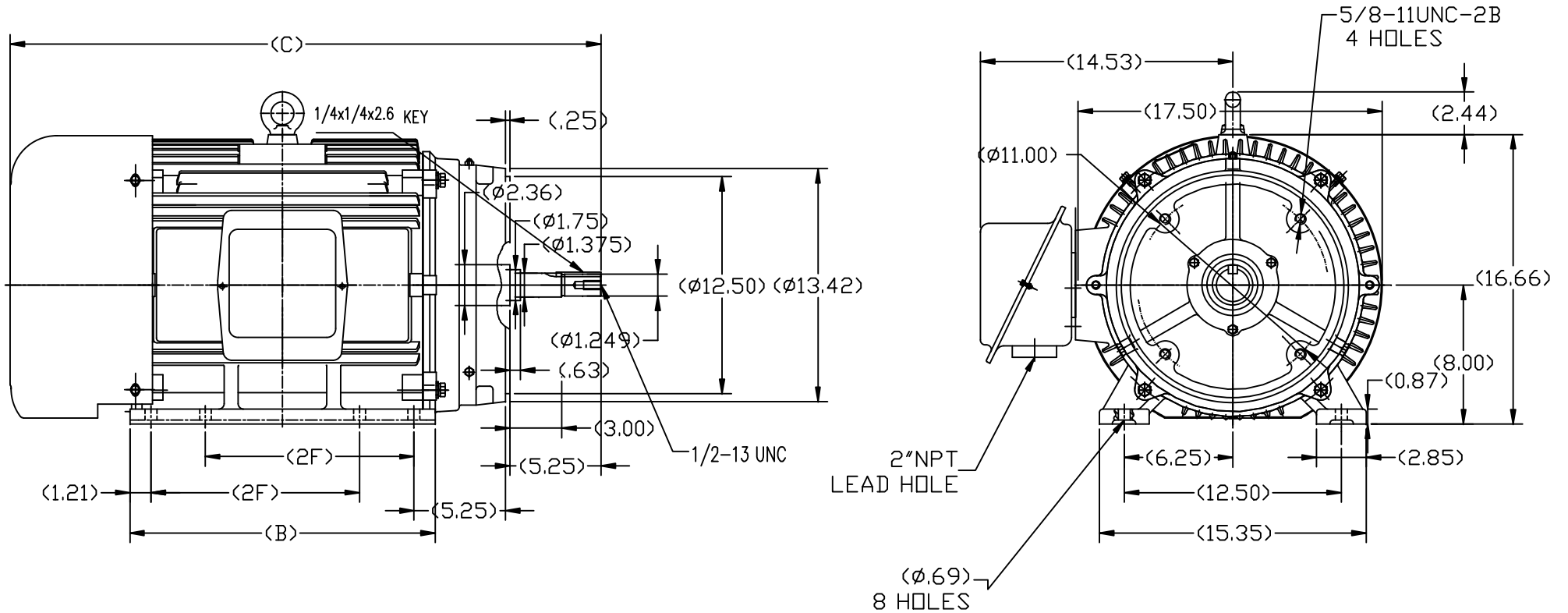
Nameplate Specifications

Output HP	40 Hp	Output KW	30.0 kW
Frequency	60 Hz	Voltage	575 V
Current	37.5 A	Speed	1780 rpm
Service Factor	1.15	Phase	3
Efficiency	94.1 %	Duty	Continuous
Insulation Class	F	Design Code	B
KVA Code	G	Frame	324JM
Enclosure	Totally Enclosed Fan Cooled	Overload Protector	No
Ambient Temperature	40 °C	Drive End Bearing Size	6312
Opp Drive End Bearing Size	6311	UL	Recognized
CSA	Y	CE	Y
IP Code	43		

Technical Specifications

Electrical Type	Squirrel Cage Inverter Rated	Starting Method	Line Or Inverter
Poles	4	Rotation	Reversible
Mounting	Rigid base	Motor Orientation	Horizontal
Drive End Bearing	Ball	Opp Drive End Bearing	Ball
Frame Material	Cast Iron	Shaft Type	JM
Overall Length	32.93 in	Shaft Diameter	1.250 in
Shaft Extension	5.25 in	Assembly/Box Mounting	F1/F2 Capable
Outline Drawing	SS620566	Connection Diagram	EE7300

This is an uncontrolled document once printed or downloaded and is subject to change without notice. Date Created: 06/29/2018



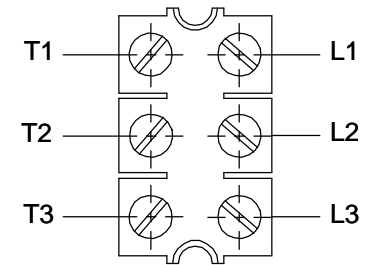
324T	32.93	16.38	10.50
326T	34.11	17.56	12.00
FRAME	C	B	2F

		TOLERANCES UNLESS SPECIFIED		REGAL-BELOIT CORPORATION		DRAWN VY 05-23-2012	
		DEC.	INCHES			CHK ZYH 05-23-2012	
		.X	±.1			APPD WGH 05-23-2012	
		.XX	±.03	TITLE		SCALE 1=7	
		.XXX	±.005	OUTLINE		REF	
		.XXXX	±.0005	TEFC-324/326JM FR-CAST IRON		FMF HWADA	
NO. REVISION		BY & DATE		CHK	ANG	FINISH	PREV
THIS DRAWING IN DESIGN AND DETAIL IS OUR PROPERTY AND MUST NOT BE USED EXCEPT IN CONNECTION WITH OUR WORK. ALL RIGHTS OF DESIGN AND INVENTION ARE RESERVED. THIS IS AN ELECTRONICALLY GENERATED DOCUMENT - DO NOT SCALE THIS PRINT				RFP	CAD FILE	SS620566	SIZE B
				DIST			DRAWING NO. SS620566
						REV.	

THREE PHASE - SINGLE VOLTAGE
MOTOR - CONDUIT BOX @ 'A'

TO REVERSE ROTATION:
INTERCHANGE ANY TWO
LINE LEAD CONNECTIONS.

TERMINAL BLOCK WHEN SPECIFIED



T1 (U1)
T2 (V1)
T3 (W1)

IF MOTOR HAS
6 LEADS



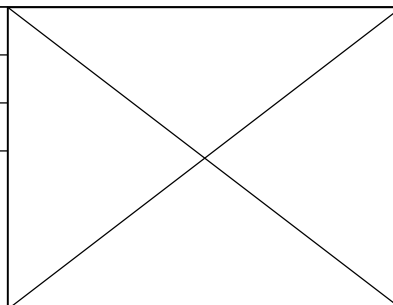
A-9806 DECAL

OPTIONAL CORD
CONNECTION

L1 _____ WHITE
L2 _____ RED
L3 _____ BLACK

VIEW OF TERMINAL END

DRAWING REVISION AB	REVISION BY JJB	DATE 06-27-2017
ECO ECO-0125361	APPROVED BY TB	DATE 06-27-2017
ECO DESCRIPTION UPDATED TO CURRENT STANDARDS		
<small>COPYRIGHT REGAL BELOIT AMERICA, INC. ALL RIGHTS RESERVED. PROPRIETARY AND CONFIDENTIAL INFORMATION - THIS DOCUMENT IS THE PROPERTY OF REGAL BELOIT AMERICA, INC. ("OWNER") AND CONTAINS OWNER'S PROPRIETARY INFORMATION. ANY PERSON, CORPORATION OR OTHER FIRM RECEIVING IT IS DEEMED, BY RECEIVING IT, TO AGREE THAT IT, AND/OR ANY PART OF IT, SHALL NOT BE DISCLOSED TO ANY PERSON, CORPORATION OR OTHER ENTITY, DUPLICATED, AND/OR USED, EXCEPT AS EXPRESSLY APPROVED IN WRITING IN ADVANCE BY OWNER. THIS DOCUMENT SHALL BE RETURNED TO OWNER UPON REQUEST. IT MAY BE SUBJECT TO CERTAIN RESTRICTIONS UNDER APPLICABLE EXPORT CONTROL LAWS AND REGULATIONS.</small>		



DRAWN BY DA
DATE 03-26-1993
APPROVED BY TB
DATE 03-26-1993
REFERENCE
THIRD ANGLE PROJECTION

Regal Beloit America, Inc.	
DESCRIPTION CONNECTION DIAGRAM EXTERNAL - SINGLE VOLTAGE - 3Ø MOTOR	
MATERIAL	PROCESS/FINISH
SIZE A	DRAWING NUMBER EE7300
SHEET 1 OF 1	



P.O. BOX 8003
WAUSAU, WI 54401-8003
PH. 715-675-3311

DATA VOLTS: 460

CERTIFICATION DATA SHEET

CUSTOMER: _____ CUSTOMER P.O. #: _____
 ORDER #: _____ REFERENCE MODEL #: 324TTCQA6033
 CONN. DIAGRAM: EE7300 CAT #: _____
 OUTLINE: SS620566 #VALUE!
 WINDING: CHT32440001 NONE 3 CUSTOMER PART #: _____
 SPEED: _____ MOUNTING: F1/F2 CAPABLE

TYPICAL MOTOR PERFORMANCE DATA

HP	KW	SYNC RPM	FL RPM	FRAME	ENCLOSURE	TYPE	KVA CODE	DESIGN	
40	30	1800	1780	324JM	TEFC	TFC	G	B	
PH	HZ	VOLTS	AMPS	START TYPE	DUTY	INSL	S.F.	AMB	ELEV.
3	60	575	37.5	LINE OR INVERTER	CONT	F	1.15	40	3300
	F.L. EFF	94.1	3/4 LD EFF	94.1	1/2 LD EFF	93.6	GTD EFF	ELECT. TYPE	
	F.L. PF	83.0	3/4 LD PF	80.0	1/2 LD PF	72.5	93.6	SQ CAGE INV RATED	
	F.L. TORQUE	LR AMPS @ 460 V	L.R. TORQUE	BD. TORQUE	F.L. RISE (° C)				
	118 LB-FT	220	195 LB-FT	165%	318 LB-FT	269%	65		
	@ 3 FT. POWER	ROTOR WK²	MAX. LOAD WK²	SAFE STALL TIME	STARTS/HOUR	MOTOR WGT			
	60 DBA	69 DBA	11.2 LB-FT²	0 LB-FT²	20 SEC.	2	695 LB.		

*** SUPPLEMENTAL INFORMATION ***

DE BRACKET TYPE	ODE BRACKET TYPE	MOUNT TYPE	MOTOR ORIENTATION	SEVERE DUTY	HAZARDOUS LOCATION	DRIP COVER	SCREENS	PAINT
C-FACE	STANDARD	RIGID	HORIZONTAL	NO	NONE	NO	NONE	BLUE (ENAMEL)
BEARINGS	GREASE	SHAFT TYPE	SPECIAL DE	SPECIAL ODE	SHAFT MATERIAL	FRAME MATERIAL		
DE ODE								
BALL BALL	POLYREX EM	JM	NONE	NONE	1045 HOT ROLLED (C-204	CAST IRON		
6312 6311								
THERMOSTATS	PROTECTORS	WDG RTD's	BRG RTD's	THERMISTORS	CONTROL	SPACE HEATERS		
NONE	NOT	NONE	NONE	NONE	FALSE	NA		
R1 (ohms/ph)	R2 (ohms/ph)	X1 (ohms/ph)	X2 (ohms/ph)	Xm (ohms/ph)	VIBRATION (in/sec)	FLOAT ODE		
0	0	0	0	0	0.150			

* _____	INVERTER TORQUE: VARIABLE 10:1
N _____	INV. HP SPEED RANGE: NONE
O _____	ENCODER: NONE
T _____	NONE
E _____	NONE
S _____	NONE
* _____	BRAKE: NONE
	NONE
	FT-LB: NA
	VOLTAGE: NONE
	HZ: _____

PREPARED BY: EARL BABBITTS
DATE: 13-07-17

FORM: 3531 REV. 4 2/27/06

UL: V-INS, CONST UL REC